



ACT 471-277Y-240-FEP-M6

ACT 471

Surge Seeker Family

A Full Featured Primary Surge Protection / Filter Device

RECCOMENDED LOCATIONS

- Building Entrance / Cat C
- Switch Gear
- Motor Control Center

FEATURES AND BENEFITS

- Up to 240,000 amps per mode protection (480,000 per Phase)
- **BEST built in Filter options in the market**
– EP patented filter targets most common transient surges and damaging medium frequency noises
- **Bus Connected Surge Modules**
- **7 Modes of Protection (L-N, L-G, N-G)**
- **Fusible Disconnect Option**
- **Dual Surge Counter Options (Continuous and Resettable)**
- **Smart Monitoring**
– Diagnostic board not only tells you Good & Bad Phase protection but also what module needs replaced
- **Dual NO / NC Form C Dry Contacts**
- for remote monitoring and control (250V 5 A rating)
- **Phase Fused or Fused Disconnect Option**
- **Individually Fused MOV Technology**
- **NEMA 4 & NEMA 12 Painted Steel Enclosure**
- **10 Year Standard Warranty**

STANDARDS MET

- Safety – Listed to UL 1449 2nd edition Feb 2007
- Noise Filtering – UL 1283
- ANSI/NFPA 70 National Electrical Code

3rd PARTY TESTED

Contact Us:

WWW.act-communications.com

sales@act-communications.com

TECHNICAL INFORMATION

ELECTRICAL SPECIFICATION

Connection Method	Parallel
Protection Modes	L-N, L-G, N-G, L-L
Wired lugs	Up to 2 AWG
Status Indicators	Working - Green LED's Alarm - Red LED
Dual Alarm Relay Contacts	Form C NC & NO
Audible Alarm	Turn On /Off Switch
Dual Surge Counters	Continuous & Resettable

MECHANICAL SPECIFICATIONS

Dimension	24"x16"x08"
Weight (determined by options)	Up to 65 lbs.
Enclosure	NEMA 12 / 4 Painted Steel
Operating Temp	-40F to +140F -40C to +65C
Non-condensing Humidity	5% to 95%

ORDERING OPTIONS

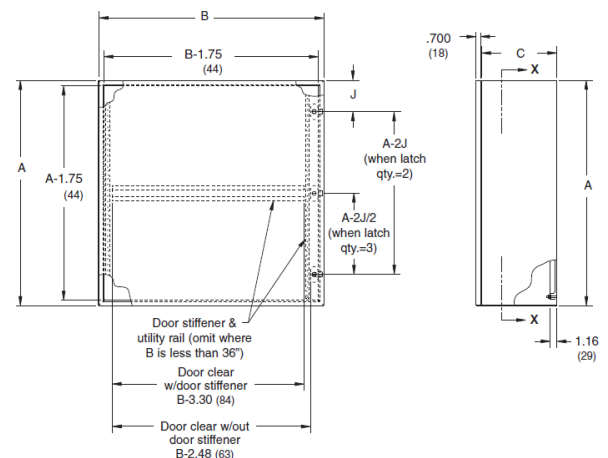
Model	System		Protect Mode	MCOV	SVR
	Voltage	Configuration			
472-120S	120/240V	3 Wire + G	L-N/L-G	150	500
			/ N-G	150	500
473-120Y	120/208	4 Wire + G	L-N/L-G	150	500
			/ N-G	150	500
473-277Y	277/480	4 Wire + G	L-N/L-G	320	800
			/ N-G	320	800
473-240D	240 Delta	3 Wire + G	L-G	350	800
			L-L	550	1500
473-480D	480 Delta	3 Wire + G	L-G	550	1600
			L-L	1200	3000
473-240H	120/240 Delta HL	4 Wire + G	PH-A L-N/L-G	150	500
			PHB L-N/L-G	350	800

OPTIONS	SURGE RATINGS BY MODE	80KA	160KA	240KA		
		80	160	240		
ENCLOSURE TYPE CODE	NEMA 12 / 4 Std - No Code	NEMA 4X	Aluminum	Stainless		
		N04X	ALM	SS		
FILTERS	Std Surge & Noise Filter EP Filter	- F				
		- FEP				
COUNTERS	Surge Counter Dual Surge Counter	- C1				
		- C2				
PQ METER	See PQ M200 Meter Specification	- M 1-6	Number refers to V options			

PART NUMBER EXAMPLE:

ACT 473-277Y-160-F-C2

Type 4 & 12 Single-Door Wall-Mount Enclosures



Enclosure Size A x B x C		Door/Body Gauge	Mounting D x E		Window Size F x G		Latch Qty.	J	
in.	mm		in.	mm	in.	mm		in.	mm
20x16x8	508x406x203	16/16	18.50x14.37	470x365	16.25x11.00	413x279	1	10.00	254

Contact Us:

WWW.act-communications.com

sales@act-communications.com